

# 3.3V Low Power EIA/TIA-562 3-Driver/ 5-Receiver Transceiver

## FEATURES

- Low Supply Current
- Receivers 4 and 5 Kept Alive in SHUTDOWN
- ESD Protection
- Operates from a Single 3.3V Supply
- Uses Small Capacitors
- Operates to 120kBaud
- Three-State Outputs are High Impedance When Off
- Output Overvoltage Does Not Force Current Back into Supplies
- EIA/TIA-562 I/O Lines Can Be Forced to  $\pm 25V$  Without Damage
- Flowthrough Architecture

## APPLICATIONS

- Notebook Computers
- Palmtop Computers

## DESCRIPTION

**300 $\mu$ A**

The LTC1350 is a 3-driver/5-receiver EIA/TIA-562 transceiver with very low supply current. In the no load condition, the supply current is only 300 $\mu$ A. The charge pump only requires four 0.1 $\mu$ F capacitors.

**35 $\mu$ A  
 $\pm 10kV$**

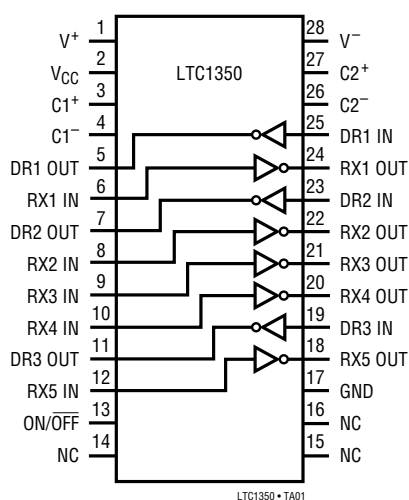
In SHUTDOWN mode, two receivers are kept alive and the supply current is only 35 $\mu$ A. All RS232 outputs assume a high impedance state in SHUTDOWN or with the power off.

**0.1 $\mu$ F**

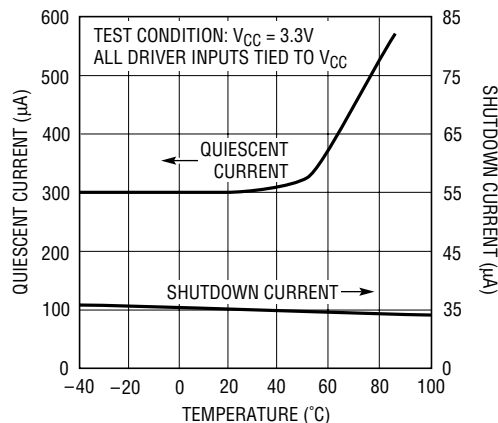
The LTC1350 is fully compliant with all data rate and overvoltage EIA/TIA-562 specifications. The transceiver can operate up to 120kbaud with a 1000pF and 3k $\Omega$  load. Both driver outputs and receiver inputs can be forced to  $\pm 25V$  without damage and can survive multiple  $\pm 10kV$  ESD strikes.

## TYPICAL APPLICATION

3-Drivers/5-Receivers with Shutdown



Quiescent and Shutdown Supply Current vs Temperature

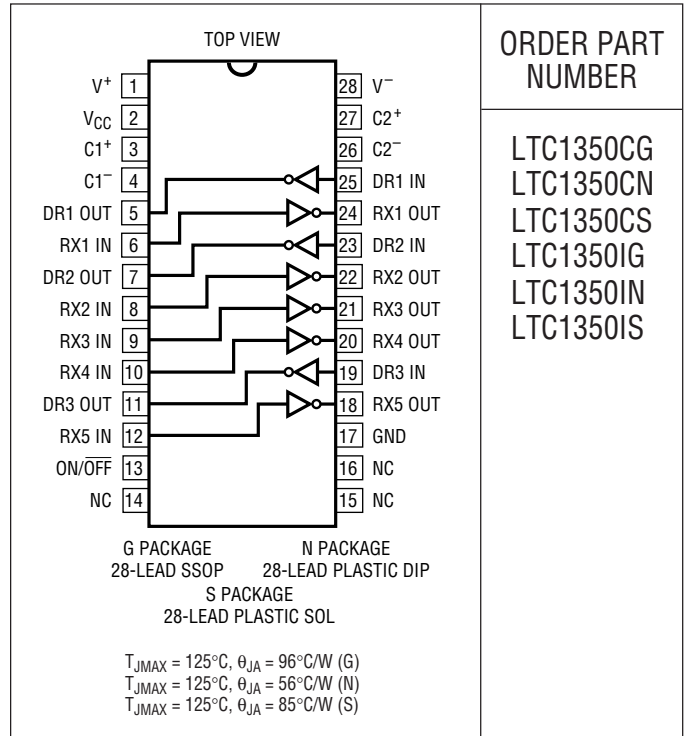


LTC1350 • TA02

## ABSOLUTE MAXIMUM RATINGS

Supply Voltage ( $V_{CC}$ ) .....	5V
Input Voltage	
Driver .....	-0.3V to $V_{CC} + 0.3V$
Receiver .....	-25V to 25V
ON/OFF Pin .....	-0.3V to $V_{CC} + 0.3V$
Output Voltage	
Driver .....	-25V to 25V
Receiver .....	-0.3V to $V_{CC} + 0.3V$
Short-Circuit Duration	
$V^+$ .....	30 sec
$V^-$ .....	30 sec
Driver Output .....	Indefinite
Receiver Output .....	Indefinite
Operating Temperature Range	
Commercial (LTC1350C) .....	0°C to 70°C
Industrial (LTC1350I) .....	-40°C to 85°C
Storage Temperature Range .....	-65°C to 150°C
Lead Temperature (Soldering, 10 sec) .....	300°C

## PACKAGE/ORDER INFORMATION



ORDER PART NUMBER

LTC1350CG  
LTC1350CN  
LTC1350CS  
LTC1350IG  
LTC1350IN  
LTC1350IS

Consult factory for Military grade parts

## DC ELECTRICAL CHARACTERISTICS $V_{CC} = 3.3V$ , $C1 = C2 = C3 = C4 = 0.1\mu F$ , unless otherwise noted.

PARAMETER	CONDITIONS	MIN	TYP	MAX	UNITS
<b>Any Driver</b>					
Output Voltage Swing	3k to GND	Positive Negative	3.7 -3.7	4.5 -4.5	V V
Logic Input Voltage Level	Input Low Level ( $V_{OUT} = \text{High}$ ) Input High Level ( $V_{OUT} = \text{Low}$ )		2.0	1.4 1.4	0.8 V V
Logic Input Current	$V_{IN} = V_{CC}$ $V_{IN} = 0V$			5 -5	$\mu A$ $\mu A$
Output Short-Circuit Current	$V_{OUT} = 0V$			$\pm 10$	mA
Output Leakage Current	SHUTDOWN (Note 3), $V_{OUT} = \pm 20V$			10	500 $\mu A$
<b>Any Receiver</b>					
Input Voltage Thresholds	Input Low Threshold Input High Threshold		0.8 0.8	1.3 1.7	2.4 V V
Hysteresis			0.1	0.4	1 V
Input Resistance	$V_{IN} = \pm 10V$		3	5	7 k $\Omega$
Output Voltage	Output Low, $I_{OUT} = -1.6mA$ ( $V_{CC} = 3.3V$ ) Output High, $I_{OUT} = 160\mu A$ ( $V_{CC} = 3.3V$ )		3.0	0.2 3.2	0.4 V V
Output Short-Circuit Current	Sinking Current, $V_{OUT} = V_{CC}$		-3	-20	mA
Output Leakage Current	SHUTDOWN (Note 3), $0V \leq V_{OUT} \leq V_{CC}$			1	10 $\mu A$

## DC ELECTRICAL CHARACTERISTICS $V_{CC} = 3.3V$ , $C1 = C2 = C3 = C4 = 0.1\mu F$ , unless otherwise noted.

PARAMETER	CONDITIONS	MIN	TYP	MAX	UNITS
<b>Power Supply Generator</b>					
V <sup>+</sup> Output Voltage	I <sub>OUT</sub> = 0mA		5.7		V
	I <sub>OUT</sub> = 5mA		5.5		V
V <sup>-</sup> Output Voltage	I <sub>OUT</sub> = 0mA		-5.3		V
	I <sub>OUT</sub> = -5mA		-5.0		V
Supply Rise Time	SHUTDOWN to Turn-On		0.2		ms
<b>Power Supply</b>					
V <sub>CC</sub> Supply Current	No Load (All Drivers V <sub>IN</sub> = V <sub>CC</sub> )(Note 2) 0°C ≤ T <sub>A</sub> ≤ 70°C	●	0.3	0.6	mA
	No Load (All Drivers V <sub>IN</sub> = 0)(Note 2) 0°C ≤ T <sub>A</sub> ≤ 70°C	●	0.5	1.0	mA
	No Load (All Drivers V <sub>IN</sub> = V <sub>CC</sub> )(Note 2) 0°C ≤ T <sub>A</sub> ≤ 85°C	●	0.3	1.0	mA
	No Load (All Drivers V <sub>IN</sub> = V <sub>CC</sub> )(Note 2) -40°C ≤ T <sub>A</sub> ≤ 0°C	●	0.3	1.5	mA
	No Load (All Drivers V <sub>IN</sub> = 0)(Note 2) -40°C ≤ T <sub>A</sub> ≤ 85°C	●	0.5	1.5	mA
	SHUTDOWN (Note 3)	●	35	50	μA
ON/OFF Threshold Low		●	1.4	0.8	V
ON/OFF Threshold High		●	2.0	1.4	V

## AC CHARACTERISTICS $V_{CC} = 5V$ , $C1 = C2 = C3 = C4 = 0.1\mu F$ , unless otherwise noted.

PARAMETER	CONDITIONS	MIN	TYP	MAX	UNITS
Slew Rate	R <sub>L</sub> = 3k, C <sub>L</sub> = 51pF		8	30	V/μs
	R <sub>L</sub> = 3k, C <sub>L</sub> = 1000pF	3	5		V/μs
Driver Propagation Delay (TTL to EIA/TIA-562)	t <sub>HLD</sub> (Figure 1)	●	2	3.5	μs
	t <sub>LHD</sub> (Figure 1)	●	2	3.5	μs
Receiver Propagation Delay (EIA/TIA-562 to TTL)	t <sub>HLR</sub> (Figure 2)	●	0.3	0.8	μs
	t <sub>LHR</sub> (Figure 2)	●	0.3	0.8	μs

The ● denotes specifications which apply over the operating temperature range of 0°C ≤ T<sub>A</sub> ≤ 70°C for commercial grade, -40°C ≤ T<sub>A</sub> ≤ 85°C for Industrial grade.

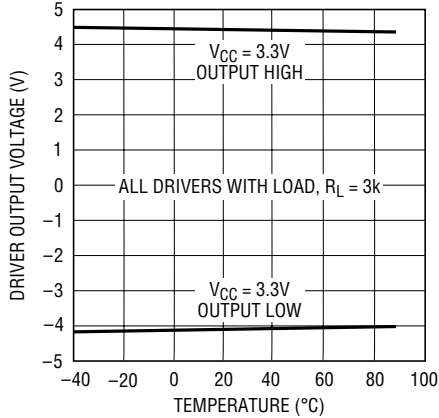
**Note 1:** Absolute maximum ratings are those values beyond which the life of the device may be impaired.

**Note 2:** Supply current is measured with driver and receiver outputs unloaded.

**Note 3:** Supply current measurement in SHUTDOWN mode is performed with V<sub>ON/OFF</sub> = 0V.

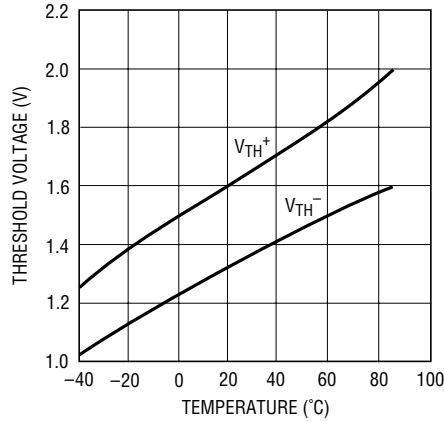
## TYPICAL PERFORMANCE CHARACTERISTICS

**Driver Output Voltage vs Temperature**



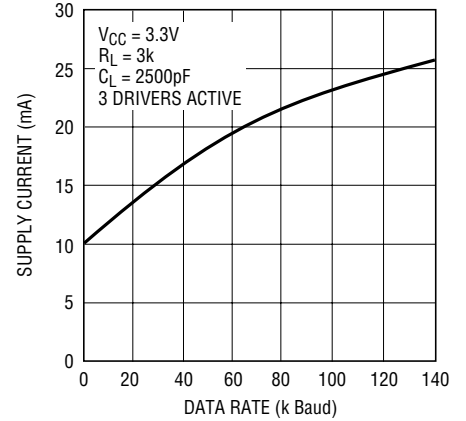
LTC1350 • TPC01

**Receiver Input Thresholds vs Temperature**



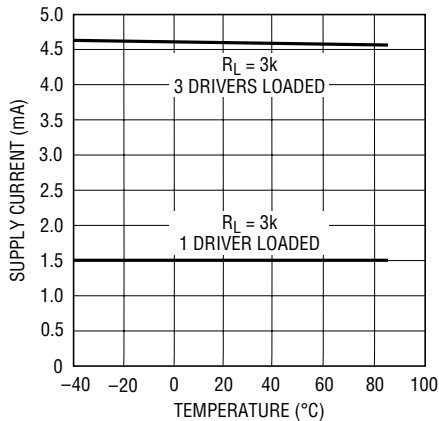
LT1350 • TPC02

**Supply Current vs Data Rate**



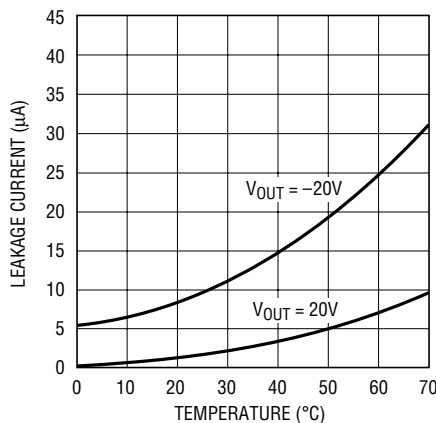
LTC1350 • TPC03

**VCC Supply Current vs Temperature**



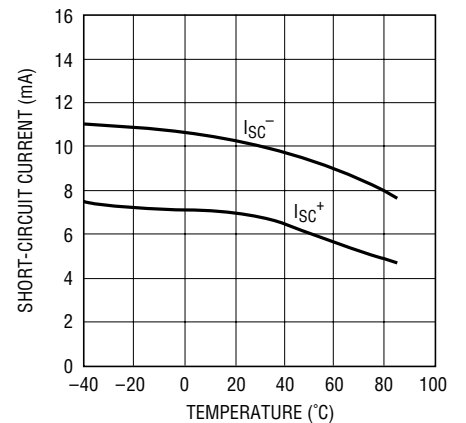
LTC1350 • TPC04

**Driver Leakage in Shutdown vs Temperature**



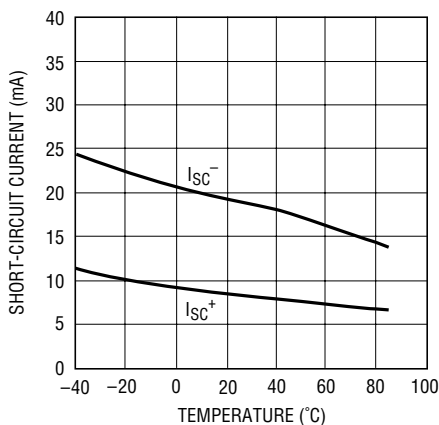
LTC1350 • TPC05

**Driver Short-Circuit Current vs Temperature**



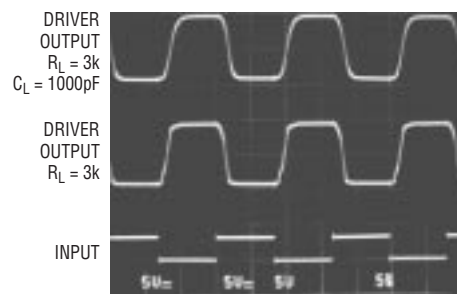
LTC1350 • TPC06

**Receiver Short-Circuit Current vs Temperature**



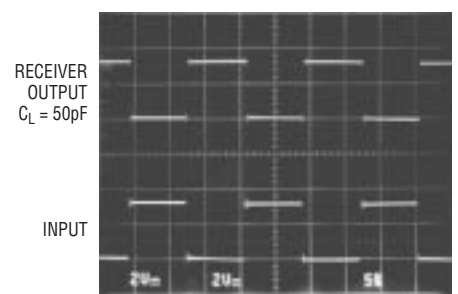
LTC1350 • TPC07

**Driver Output Waveforms**



LTC1350 • TPC08

**Receiver Output Waveform**



LTC1350 • TPC09

## PIN FUNCTIONS

**V<sub>CC</sub>**: 3.3V Input Supply Pin. Supply current is typically 35 $\mu$ A in the SHUTDOWN mode. This pin should be decoupled with a 0.1 $\mu$ F ceramic capacitor.

**GND**: Ground Pin.

**ON/OFF**: TTL/CMOS Compatible Shutdown Pin. A logic low puts the device in the SHUTDOWN mode with receivers 4 and 5 kept alive and the supply current equal to 35 $\mu$ A. All driver and other receiver outputs are in high impedance state. This pin cannot float.

**V<sup>+</sup>**: Positive Supply Output.  $V^+ \cong 2V_{CC} - 1V$ . This pin requires an external capacitor ( $C = 0.1\mu F$ ) for charge storage. The capacitor may be tied to ground or  $V_{CC}$ . With multiple devices, the  $V^+$  and  $V^-$  pins may be paralleled into common capacitors. For a large number of devices, increasing the size of the shared common storage capacitors is recommended to reduce ripple.

**V<sup>-</sup>**: Negative Supply Output.  $V^- \cong -(2V_{CC} - 1.3V)$ . This pin requires an external capacitor ( $C = 0.1\mu F$ ) for charge storage.

**C1<sup>+</sup>, C1<sup>-</sup>, C2<sup>+</sup>, C2<sup>-</sup>**: Commutating Capacitor Inputs. These pins require two external capacitors ( $C = 0.1\mu F$ ): one from C1<sup>+</sup> to C1<sup>-</sup> and another from C2<sup>+</sup> to C2<sup>-</sup>. To maintain charge pump efficiency, the capacitor's effective series resistance should be less than 20 $\Omega$ .

**DR IN**: EIA/TIA-562 Driver Input Pins. Inputs are TTL/CMOS compatible. Inputs should not be allowed to float. Tie unused inputs to  $V_{CC}$ .

**DR OUT**: Driver Outputs at EIA/TIA-562 Voltage Levels. Outputs are in a high impedance state when in the SHUTDOWN mode or  $V_{CC} = 0V$ . The driver outputs are protected against ESD to  $\pm 10kV$  for human body model discharges.

**RX IN**: Receiver Inputs. These pins can be forced to  $\pm 25V$  without damage. The receiver inputs are protected against ESD to  $\pm 10kV$  for human body model discharges. Each receiver provides 0.4V of hysteresis for noise immunity.

**RX OUT**: Receiver Outputs with TTL/CMOS Voltage Levels. Receiver 1, 2 and 3 outputs are in a high impedance state when in SHUTDOWN mode to allow data line sharing. Receivers 4 and 5 are kept alive in SHUTDOWN.

## SWITCHING TIME WAVEFORMS

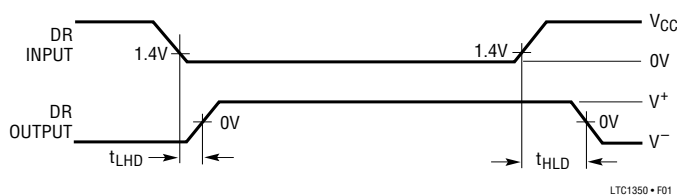


Figure 1. Driver Propagation Delay Timing

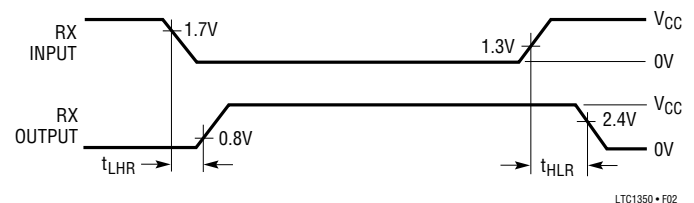
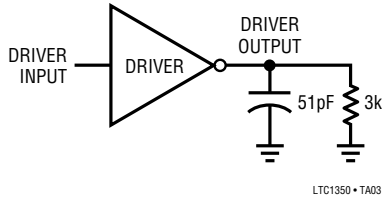


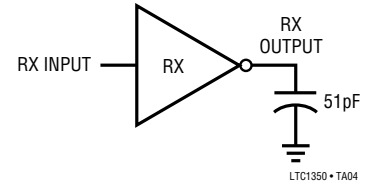
Figure 2. Receiver Propagation Delay Timing

**TEST CIRCUITS**

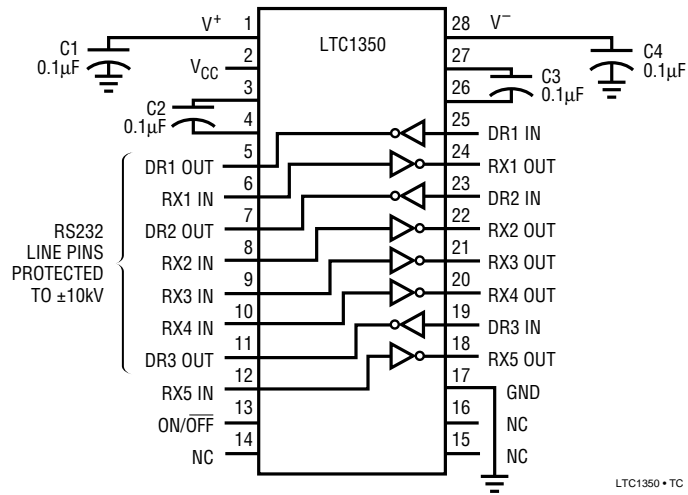
**Driver Timing Test Load**



**Receiver Timing Test Load**

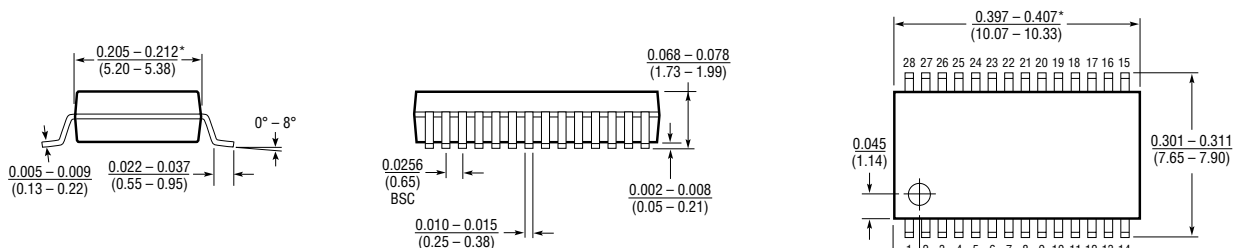


**ESD Test Circuit**



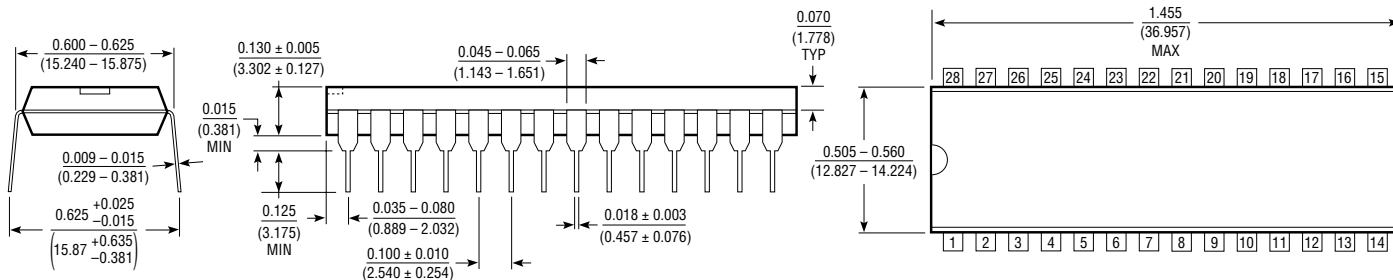
**PACKAGE DESCRIPTION** Dimensions in inches (millimeters) unless otherwise noted.

**G Package  
28-Lead SSOP**

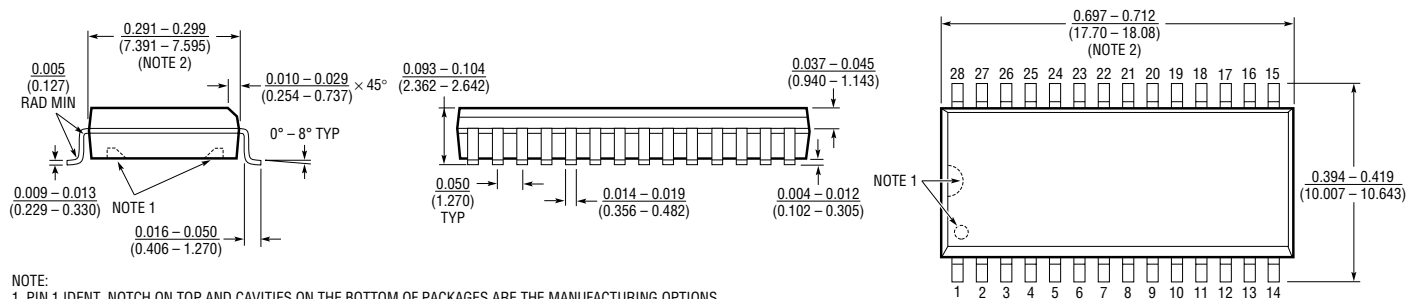


\*THESE DIMENSIONS DO NOT INCLUDE MOLD FLASH OR PROTRUSIONS.  
MOLD FLASH OR PROTRUSIONS SHALL NOT EXCEED 0.006 INCH (0.15mm).

**N Package  
28-Lead Plastic DIP**



**S Package  
28-Lead Plastic SOL**



- NOTE:  
1. PIN 1 IDENT, NOTCH ON TOP AND CAVITIES ON THE BOTTOM OF PACKAGES ARE THE MANUFACTURING OPTIONS. THE PART MAY BE SUPPLIED WITH OR WITHOUT ANY OF THE OPTIONS.  
2. THESE DIMENSIONS DO NOT INCLUDE MOLD FLASH OR PROTRUSIONS. MOLD FLASH OR PROTRUSIONS SHALL NOT EXCEED 0.006 INCH (0.15mm).

**World Headquarters**

**Linear Technology Corporation**  
1630 McCarthy Blvd.  
Milpitas, CA 95035-7417  
Phone: (408) 432-1900  
FAX: (408) 434-0507  
www.linear-tech.com

**U.S. Area  
Sales Offices****NORTHEAST REGION**

**Linear Technology Corporation**  
3220 Tillman Drive  
Suite 120  
Bensalem, PA 19020  
Phone: (215) 638-9667  
FAX: (215) 638-9764

**Linear Technology Corporation**

15 Research Place  
North Chelmsford, MA 01863  
Phone: (978) 656-4750  
FAX: (978) 656-4760

**NORTHWEST REGION****Linear Technology Corporation**

720 Sycamore Drive  
Milpitas, CA 95035  
Phone: (408) 428-2050  
FAX: (408) 432-6331

**SOUTHEAST REGION****Linear Technology Corporation**

17000 Dallas Parkway  
Suite 219  
Dallas, TX 75248  
Phone: (972) 733-3071  
FAX: (972) 380-5138

**Linear Technology Corporation**

9430 Research Blvd.  
Echelon IV Suite 400  
Austin, TX 78759  
Phone: (512) 343-3679  
FAX: (512) 343-3680

**Linear Technology Corporation**

1080 West Sam Houston Parkway  
Suite 225  
Houston, TX 77043  
Phone: (713) 463-5001  
FAX: (713) 463-5009

**Linear Technology Corporation**

15100 Weston Parkway  
Suite 202  
Carey, NC 27513  
Phone: (919) 677-0066  
FAX: (919) 678-0041

**CENTRAL REGION****Linear Technology Corporation**

2010 E. Algonquin Road  
Suite 209  
Schaumburg, IL 60173  
Phone: (847) 925-0860  
FAX: (847) 925-0878

**Linear Technology Corporation**

Kenosha, WI 53144  
Phone: (262) 859-1900  
FAX: (262) 859-1974

**SOUTHWEST REGION****Linear Technology Corporation**

21243 Ventura Blvd.  
Suite 208  
Woodland Hills, CA 91364  
Phone: (818) 703-0835  
FAX: (818) 703-0517

**Linear Technology Corporation**

15375 Barranca Parkway  
Suite A-213  
Irvine, CA 92618  
Phone: (949) 453-4650  
FAX: (949) 453-4765

**International Sales Offices****CHINA (HONG KONG)****Linear Technology Corp. Ltd.**

Unit 2109, Metroplaza Tower 2  
223 Hing Fong Road  
Kwai Fong, N.T., Hong Kong  
Phone: +852 2428-0303  
FAX: +852 2348-0885

**FRANCE****Linear Technology S.A.R.L.**

Immeuble "Le Quartz"  
58 Chemin de la Justice  
92290 Chatenay Malabry  
France  
Phone: +33 (1) 41079555  
FAX: +33 (1) 46314613

**GERMANY****Linear Technology GmbH**

Oskar-Messter-Str. 24  
D-85737 Ismaning  
Germany  
Phone: +49 (89) 962455-0  
FAX: +49 (89) 963147

**Linear Technology GmbH**

Haselburger Damm 4  
D-59387 Ascheberg  
Germany  
Phone: +49 (2593) 9516-0  
FAX: +49 (2593) 951679

**Linear Technology GmbH**

Zettachring 12  
D-70567 Stuttgart  
Germany  
Phone: +49 (711) 1329890  
FAX: +49 (711) 7285055

**JAPAN****Linear Technology KK**

5F NAO Bldg.  
1-14 Shin-Ogawa-cho Shinjuku-ku  
Tokyo, 162 Japan  
Phone: +81 (3) 3267-7891  
FAX: +81 (3) 3267-8510

**Linear Technology KK**

6F Tokyo Seimei Honmachi Bldg.  
1-6-13 Awaza, Nishi-ku  
Osaka-shi, 550-0011, Japan  
Phone: +81 (6) 6533-5880  
FAX: +81 (6) 6533-5885

**KOREA****Linear Technology Korea Co., Ltd.**

Yundang Building, #1002  
Samsung-Dong 144-23  
Kangnam-Ku, Seoul 135-090  
Korea  
Phone: +82 (2) 792-1617  
FAX: +82 (2) 792-1619

**SINGAPORE****Linear Technology Pte. Ltd.**

507 Yishun Industrial Park A  
Singapore 768734  
Phone: +65 753-2692  
FAX: +65 752-0108

**SWEDEN****Linear Technology AB**

Sollentunavägen 63  
S-191 40 Sollentuna  
Sweden  
Phone: +46 (8) 623-1600  
FAX: +46 (8) 623-1650

**TAIWAN****Linear Technology Corporation**

Rm. 602, No. 46, Sec. 2  
Chung Shan N. Rd.  
Taipei, Taiwan, R.O.C.  
Phone: +886 (2) 2521-7575  
FAX: +886 (2) 2562-2285

**UNITED KINGDOM****Linear Technology (UK) Ltd.**

The Coliseum, Riverside Way  
Camberley, Surrey GU15 3YL  
United Kingdom  
Phone: +44 (1276) 677676  
FAX: +44 (1276) 64851